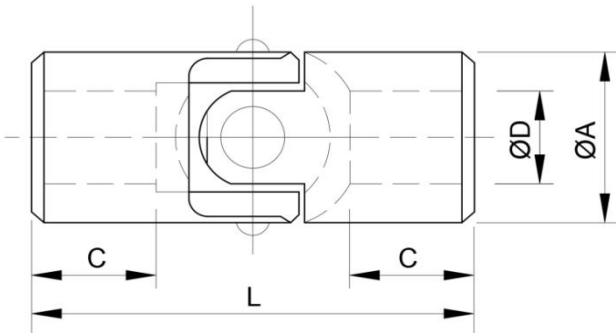


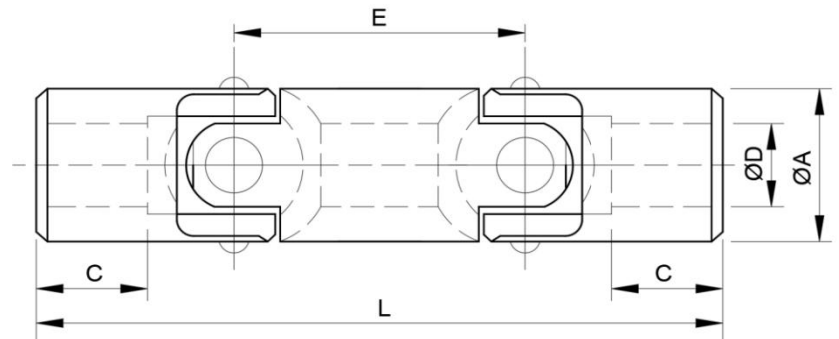


**UNIVERSAL
JOINTS**

RUNFLEX UNIVERSAL JOINT consists of a pair of closely located hinges, oriented at 90° to each other. It allows one or more rotating shafts to be linked together, even when misaligned. When shafts are connected using a universal joint, each shaft terminates in a revolute joint with its axis perpendicular to the shaft's rotational axis. This allows rotary motion to be transferred between the shafts while allowing misalignment in both remaining rotational degrees of freedom. It comes in single, double and telescopic (Spline shaft) variants.



SINGLE JOINT

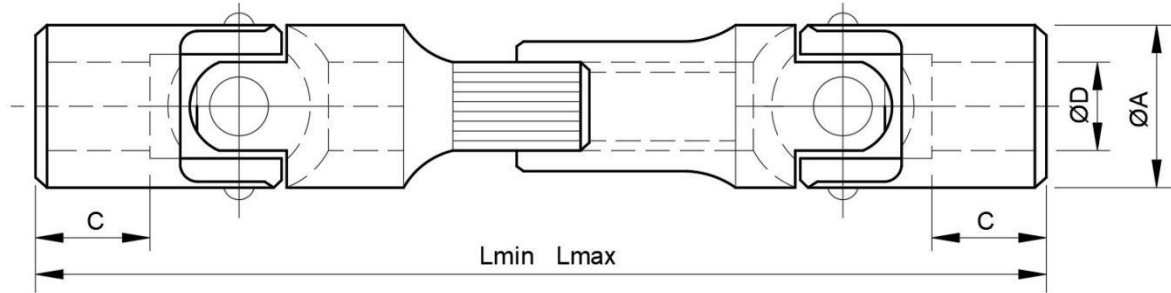


DOUBLE JOINT

SINGLE UNIVERSAL JOINT							DOUBLE UNIVERSAL JOINT							
SIZE	TORQUE Nm	ØA	MAX BORE (ØD)		C	L	SIZE	TORQUE Nm	ØA	MAX BORE (ØD)		C	E	L
			PLAIN	FBKW						PLAIN	FBKW			
RSJ - 1	21	10	6	-	13	44	RDJ - 1	44	13	8	-	15	21.5	71.5
RSJ - 2	44	13	8	-	15	50	RDJ - 2	75	16	10	7.5	17	25	81
RSJ - 3	75	16	10	7.5	17	58	RDJ - 3	89	19	12	8.5	19	27	91
RSJ - 4	89	19	12	8.5	19	64	RDJ - 4	135	22	14	11	21	35	111
RSJ - 5	135	22	14	11	21	76	RDJ - 5	193	25	16	12	25	36	122
RSJ - 6	193	25	16	12	25	86	RDJ - 6	331	29	18	14	26	43	133
RSJ - 7	331	29	18	14	26	90	RDJ - 7	600	32	20/22	16	26	48	143
RSJ - 8	600	32	20/22	16	26	95	RDJ - 8	910	38	25	19	30	54	162
RSJ - 9	910	38	25	19	30	108	RDJ - 9	1230	44	30	22.5	34	67	194
RSJ - 10	1230	44	30	22.5	34	127	RDJ - 10	1790	51	35	27.5	38	78	218
RSJ - 11	1790	51	35	27.5	38	140	RDJ - 11	2850	57	40	32	47	80	245
RSJ - 12	2860	57	40	32	47	165	RDJ - 12	3810	63	45	36.5	50	89	267
RSJ - 13	3810	63	45	36.5	50	178	RDJ - 13	7510	76	50	44.5	66	96	318
RSJ - 14	7510	76	50	44.5	66	222	RDJ - 14	11010	89	65	53	78	111	365
RSJ - 15	11010	89	65	53	78	254	RDJ - 15	15850	102	70	62	94	118	410
RSJ - 16	15850	102	70	62	94	292	-	-	-	-	-	-	-	-

ALL DIMENSIONS ARE IN MM.

TELESCOPIC UNIVERSAL JOINTS



SIZE	TORQUE Nm	ØA	MAX BORE (ØD)		C	L Lmin Lmax
			PLAIN	FBKW		
RTJ - 5	135	22	14	11	21	AS PER REQUEST
RTJ - 6	193	25	16	12	25	
RTJ - 7	331	29	18	14	26	
RTJ - 8	600	32	20/22	16	26	
RTJ - 9	910	38	25	19	30	
RTJ - 10	1230	44	30	22.5	34	
RTJ - 11	1790	51	35	27.5	38	
RTJ - 12	2860	57	40	32	47	
RTJ - 13	3810	63	45	36.5	50	
RTJ - 14	7510	76	50	44.5	66	
RTJ - 15	11010	89	65	53	78	
RTJ - 16	15850	102	70	62	94	



SEND US YOUR REQUIREMENTS IN DETAIL TO GET THE MOST EFFECTIVELY DESIGNED COUPLING AS PER YOUR REQUIREMENT

For more information about other products, please visit our website.



RUNFLEX
TRANSMISSIONS PVT. LTD.

AUTHORISED DEALER :

OFFICE : 25/7 DEDGE INDUSTRIES, NANDED PHATA, SINHAGAD ROAD, PUNE - 411041

CONTACT : 9422089962 / 9545565527 **EMAIL :** runflex.transmissions@gmail.com

Website : www.runflextransmissions.com