



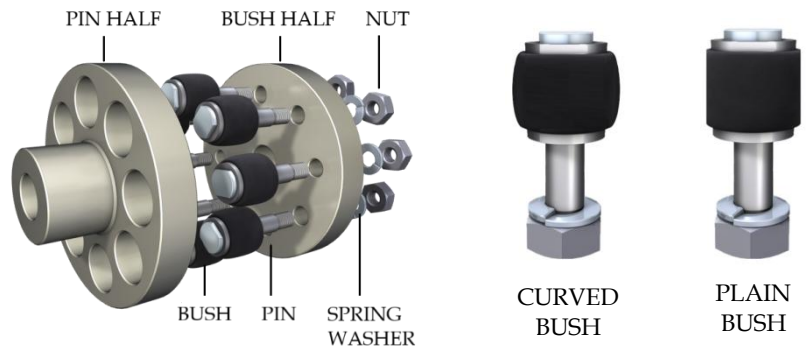
**PIN BUSH COUPLINGS**

**RUNFLEX PIN BUSH COUPLINGS** are used in applications that requires reliable power transmission even under various misalignment conditions. These couplings are designed to transmit high torque at maximum speeds. It transmits the torque through rubber bushes which have excellent capacity to handle shocks and vibrations. **PIN BUSH Couplings** have progressive increasing stiffness characteristics that ensures control of vibrations amplitude for protection of equipment.

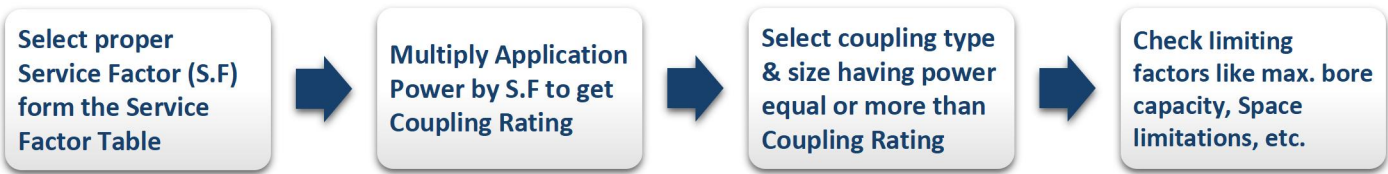
**RUNFLEX PIN BUSH COUPLINGS** are widely used in Conveyors, Escalator, Mixers, Pumps and other general industrial applications.

**FEATURES :**

- Easy to assemble and dismantle.
- Permits drive in both directions.
- Easy replacement of flexible element.
- No lubrication required.
- Economical for long run.
- Absorbs shocks and vibration load.



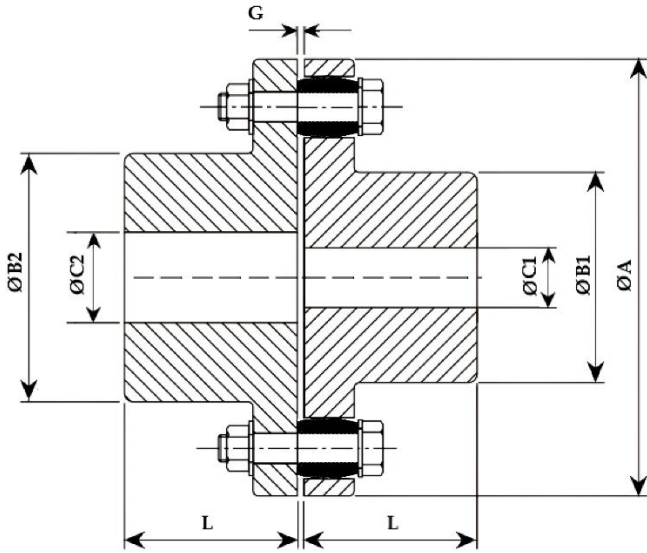
**SELECTION PROCEDURE**



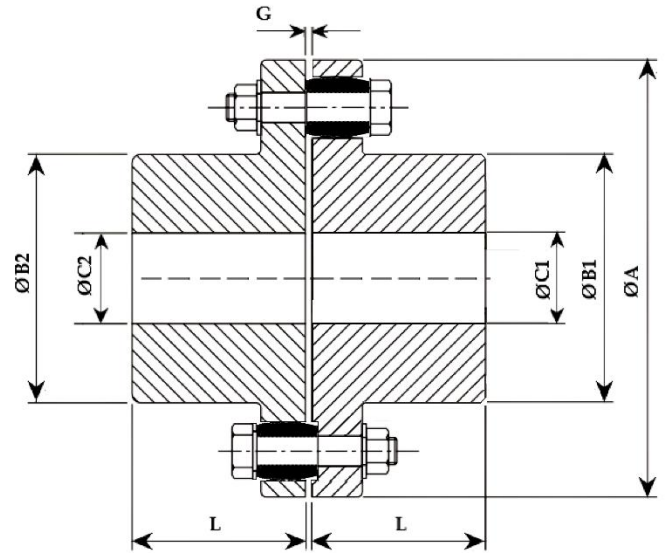
**SERVICE FACTOR TABLE :**

DRIVEN MACHINE	DRIVER MACHINE		
	ELECTRIC MOTOR / STEAM TURBINE	STEAM ENGINE / WATER TURBINE	GAS ENGINE / OIL ENGINE
<b>CONSTANT TORQUE FLUCTUATIONS</b> Centrifugal pumps, Compressors, Light fans, Alternators, Conveyors, etc.	1.0	1.5	3.0
<b>LIGHT TORQUE FLUCTUATIONS</b> Screw pumps & compressors, Rotary compressors & dryers, Textiles machinery, Draught fans, Paper mill winder, marine propellers, etc.	1.5	2.0	3.0
<b>MEDIUM TORQUE FLUCTUATIONS</b> Reciprocating pumps, Bucket elevators, Crane & winders, Paper mills, Positive displacement pumps, etc.	2.0	2.5	4.0
<b>HIGH TORQUE FLUCTUATIONS</b> Reciprocating conveyors, High velocity mixtures, Rubber machinery, Crusher ball mills, Cooling towers, etc.	3.0	3.5	5.0

## RUNFLEX CURVED PIN BUSH COUPLING (RFC SERIES)



SIZE: RFC - 105 TO RFC - 360

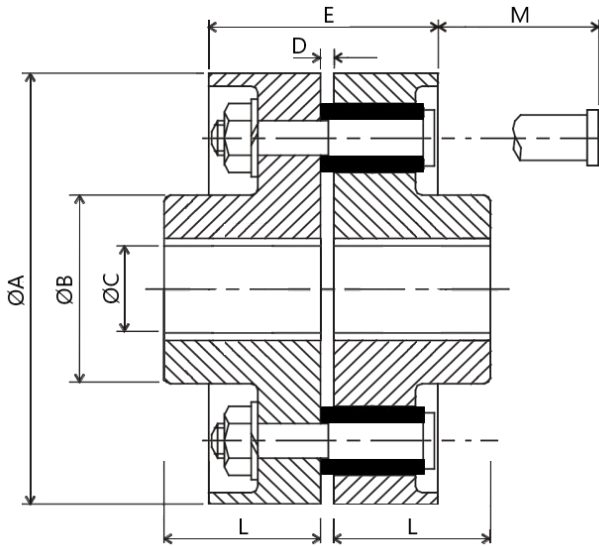


SIZE: RFC - 400 TO RFC - 2000

SIZE	NO OF PINS	kW @ 100 RPM	TORQUE Nm	MAX SPEED (RPM)	MIN BORE	MAX BORE		ØA	ØB1	ØB2	L	G	WT in KG	M.I IN Kgm <sup>2</sup>	MAX MISALIGNMENT		
						ØC1	ØC2								AXIAL	RADIAL	ANGULAR
RFC-105	3	1.0	95	7200	11	30	32	105	48	50	45	2-6	2	0.003	2	0.3	1°
RFC-116	4	1.5	146	6100	12	39	42	116	60	68	45	2-6	2.6	0.005	2	0.3	1°
RFC-125	4	1.7	166	5500	14	45	50	125	68	78	50	2-6	3.1	0.007	2	0.4	1°
RFC-144	6	3.3	318	4900	18	50	60	144	82	91	55	2-6	4.3	0.012	2	0.4	1°
RFC-162	6	5.5	525	4500	22	60	65	162	89	100	60	2-6	7.5	0.03	2	0.4	1°
RFC-178	6	6.7	643	3800	24	70	75	178	105	115	70	2-6	10	0.04	2	0.5	1°
RFC-198	10	13	1248	3400	28	80	90	198	124	135	80	2-6	13	0.04	2	0.5	1°
RFC-228	11	21	2050	3000	28	90	100	228	133	146	90	4-10	18	0.1	3	0.6	1°
RFC-252	12	32	3069	2700	38	105	115	252	156	167	100	4-10	24	0.17	3	0.6	1°
RFC-285	11	48	4552	2400	48	115	125	285	170	186	110	4-10	35	0.31	3	0.6	1°
RFC-320	12	64	6099	2100	55	125	135	320	196	212	125	4-10	51	0.53	3	0.7	1°
RFC-360	11	93	8900	1900	65	135	150	360	212	232	140	4-12	73	1.02	4	0.9	1°
RFC-400	10	126	12051	1700	75	160	160	410	230	230	160	4-12	101	1.7	4	1.1	0.1°
RFC-450	12	195	18602	1500	85	180	180	450	260	260	180	4-12	137	2.9	4	1.1	0.5°
RFC-500	14	270	25802	1350	95	200	200	500	290	290	200	4-12	180	4.7	4	1.1	0.4°
RFC-560	10	325	31003	1200	95	225	225	560	320	320	220	4-8	278	10.7	2	1.5	0.3°
RFC-630	12	440	41998	1050	100	250	250	630	355	355	240	4-8	365	17.4	2	1.5	0.3°
RFC-710	12	785	75000	950	100	260	260	710	385	385	260	5-9	516	33	2	1.8	0.3°
RFC-800	14	1047	100000	850	100	280	280	800	420	420	290	5-9	691	53	2	1.8	0.3°
RFC-900	16	1623	154998	750	100	305	305	900	465	465	320	5-9	927	86	2	1.8	0.3°
RFC-1000	18	2042	194997	680	125	320	320	1000	515	515	350	5-7	1224	143	2	2	0.1°
RFC-1120	18	2827	269997	600	135	350	350	1120	560	560	380	6-11	1584	231	2	2.2	0.1°
RFC-1250	20	3613	344997	550	150	380	380	1250	610	610	420	6-11	2070	367	2	2.4	0.1°
RFC-1400	20	5550	529999	490	175	440	440	1400	700	700	480	6-12	3060	693	2	2.7	0.1°
RFC-1600	24	7854	749995	430	200	480	480	1600	770	770	540	6-12	3960	1155	2	3	0.1°
RFC-1800	22	10210	974996	380	225	540	540	1800	870	870	600	8-16	5760	2205	2	3.4	0.1°
RFC-2000	26	13614	1299997	340	250	600	600	2000	960	960	660	8-16	7020	3255	2	3.8	0.1°

ALL DIMENSIONS ARE IN MM.

## RUNFLEX PLAIN PIN BUSH COUPLING (RFP SERIES)



SIZE	NO OF PINS	kw @ 100 RPM	TORQUE Nm	MAX SPEED (RPM)	MIN BORE	ØC	ØA	ØB	L	D	E	M
RFP-1	3	0.81	77	6100	12	28	95	40	38	3	79	58
RFP-2	4	3.25	310	5100	12	30	114	42	48	3	99	70
RFP-2A	6	5.4	516	4400	16	42	130	60	51	3	105	70
RFP-3	4	6.5	621	3600	16	48	160	68	51	5	107	114
RFP-4	4	8.7	831	3000	20	65	191	90	60	5	125	114
RFP-4A	6	13	1241	3000	20	65	191	90	60	5	125	114
RFP-5	6	17.4	1662	2600	25	75	225	105	76	5	157	114
RFP-6	8	24.7	2359	2300	45	90	254	135	89	5	183	114
RFP-6A	10	30.7	2932	2300	45	90	254	135	89	5	183	114
RFP-6B	12	37	3533	2300	45	90	254	135	89	5	183	114
RFP-7	12	43.5	4154	1950	60	115	290	170	115	5	235	114
RFP-7A	14	54.4	5195	1900	60	120	300	180	115	5	235	130
RFP-8	16	61	5816	1850	65	130	310	195	125	5	255	130
RFP-8A	15	76	7268	1650	65	135	340	200	130	5	265	130
RFP-8B	12	91.4	8729	1590	70	140	360	210	135	6	276	200
RFP-9	13	104	9932	1470	80	150	390	225	155	6	316	200
RFP-9A	15	139	13274	1400	90	160	410	240	165	6	336	200
RFP-10	16	151	14420	1300	100	170	440	255	180	6	366	200
RFP-10A	17	189	18050	1200	110	180	480	270	190	6	386	212
RFP-11	20	249	23780	1080	120	190	530	285	200	6	406	212

ALL DIMENSIONS ARE IN MM.

**SEND US YOUR REQUIREMENTS IN DETAIL TO GET THE MOST EFFECTIVELY DESIGNED COUPLING AS PER YOUR REQUIREMENT**

For more information about other products, please visit our website



**RUNFLEX**  
TRANSMISSIONS PVT. LTD.

**OFFICE:** 25/7 DEDGE INDUSTRIES, NANDED PHATA, SINHAGAD ROAD,  
PUNE - 411041, MAHARASHTRA, INDIA

**CONTACT:** 9422089962 / 9545565527

**EMAIL:** runflex.transmissions@gmail.com

**Website:** [www.runflextransmissions.com](http://www.runflextransmissions.com)

— • OUR PRODUCT RANGE • —



**DISC COUPLINGS**



**PIN BUSH COUPLINGS**



**JAW COUPLINGS**



**GEAR COUPLINGS**



**TYRE COUPLINGS**



**ENCODER / BEAM COUPLINGS**



**UNIVERSAL JOINTS**



**NYLON GEAR COUPLINGS**



**PRECUT ALIGNMENT SHIMS**



**QUICKALINE ALIGNMENT KIT**



**RUNFLEX**  
TRANSMISSIONS PVT. LTD.

**OFFICE :** 25/7 DEDGE INDUSTRIES, NANDED PHATA,  
SINHAGADROAD, PUNE - 411041

**CONTACT :** 9422089962 / 9545565527

**EMAIL :** runflex.transmissions@gmail.com

**Website :** www.runflextransmissions.com