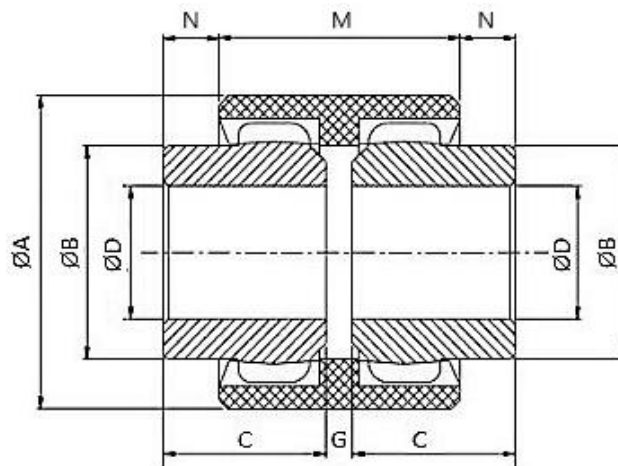


RUNFLEX NYLON GEAR COUPLINGS are made of two steel crowned teeth hubs, which are connected with precision molded nylon sleeve having internal teeth. The crowned teeth hubs and the lubrication free combination of steel with nylon ensure good sliding properties and leads to low maintenance and low wear operation. These couplings are resistant to all types of lubricants and hydraulic fluids and can be used at a temperature range of -25°C +80°C.

FEATURES :

- Compensation of axial, radial & angular misalignments.
- Double engagement allows smooth torque transmission.
- Deployable in horizontal and vertical applications.
- Low weight and low moment of inertia.
- Resistance to dirt, moisture and most chemicals.



SIZE	RATING @ 100 RPM	TORQUE Nm	MAX SPEED (RPM)	P.B	MAX BORE ØD	ØA	ØB	C	G	M	N	WT in KG	M.I IN Kgm2	MAX MISALIGNMENT		
														AXIAL	RADIAL	ANGULAR
RN - 19	0.17	16	11800	9	20	48	32	25	4	37	8.5	0.23	0.47	1	0.3	±1°
RN - 28	0.47	45	8500	10	28	66	44	40	4	46	19	0.74	3.09	1	0.4	±1°
RN - 38	0.84	80	6700	14	38	83	58	40	4	48	18	1.23	8.68	1	0.4	±1°
RN - 48	1.50	140	5600	20	48	95	68	50	4	50	27	1.81	18.34	1	0.4	±1°
RN - 65	4.00	380	4000	32	65	132	96	55	4	68	23	4.35	84.80	1	0.4	±1°

NOTE:

1. ALL DIMENSIONS ARE IN MM.
2. WEIGHTS AND M.I ARE SPECIFIED CONSIDERING P.B.
3. MAX. TORQUE IS 3 TIMES THE NORMAL TORQUE.
4. TOLERANCE ON FINISH BORE & KEYWAY WILL BE H7 & JS9 RESPECTIVELY AS PER BS 4235 : PART 1 : 1972

MATERIAL SPECIFICATION:

HUB	CARBON STEEL
SLEEVE	NYLON

SEND US YOUR REQUIREMENTS IN DETAIL TO GET THE MOST EFFECTIVELY DESIGNED COUPLING AS PER YOUR REQUIREMENT

For more information about other products, please visit our website

— • OUR PRODUCT RANGE • —



DISC COUPLINGS



PIN BUSH COUPLINGS



JAW COUPLINGS



GEAR COUPLINGS



TYRE COUPLINGS



ENCODER / BEAM COUPLINGS



UNIVERSAL JOINTS



NYLON GEAR COUPLINGS



PRECUT ALIGNMENT SHIMS



QUICKALINE ALIGNMENT KIT



RUNFLEX
TRANSMISSIONS PVT. LTD.

OFFICE : 25/7 DEDGE INDUSTRIES, NANDED PHATA,
SINHAGADROAD, PUNE - 411041

CONTACT : 9422089962 / 9545565527

EMAIL : runflex.transmissions@gmail.com

Website : www.runflextransmissions.com